

# Aurora Series - Carrera

## US Mortise Entry Set



### Materials

Solid forged brass

### Finishes

- Inoxbrass
- Inoxchrome

### Standard

Mortise lock: ANSI / BHMA A156.13  
UL Listed

Cylinder: EN1303

### Product code

011011

Note: \* Please refer to our standard terms & conditions of product warranty.

### Model name

Carrera

### Product description

US Mortise Grip Handleset, with furniture designed by Italy "Frascio". The premium handleset "Carrera" made with precious solid forged brass, very fine craftsmanship and provided with timeless finish warranty.

The "Inoxchrome" finishes is manufactured through advanced PVD technology that the product surface can resist against damages from the environment.

Two kinds of finishes are available:

- The "Inoxbrass" finish guarantee for "Lifetime" warranty \*
- The "Inoxchrome" finish guarantee for "15 years" finish warranty\*

### Function

- Main entrance
- Automatic lock
- Emergency egress

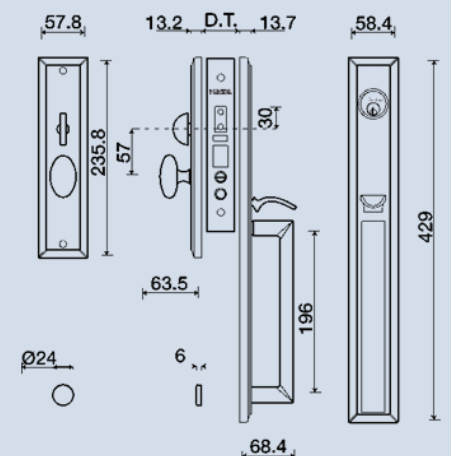
### Mortise Lock

Kaba Tech B mortise lockcase

### Cylinder

Kaba experT cylinder - four tumbler pin rows cylinder

### Drawing



# Aurora Series - Vantage

## US Mortise Entry Set



### Materials

Solid forged brass

### Finishes

- Inoxbrass
- Inoxchrome

### Standard

Mortise lock: ANSI / BHMA A156.13  
UL Listed

Cylinder: EN1303

### Product code

011021

Note: \* Please refer to our standard terms & conditions of product warranty.

### Model name

Vantage

### Product description

US Mortise Grip Handleset, with furniture designed by Italy "Frascio". The premium handleset "Vantage" made with precious solid forged brass, very fine craftsmanship and provided with timeless finish warranty.

The "Inoxchrome" finishes is manufactured through advanced PVD technology that the product surface can resist against damages from the environment.

Two kinds of finishes are available:

- The "Inoxbrass" finish guarantee for "Lifetime" warranty \*
- The "Inoxchrome" finish guarantee for "15 years" finish warranty\*

### Function

- Main entrance
- Automatic lock
- Emergency egress

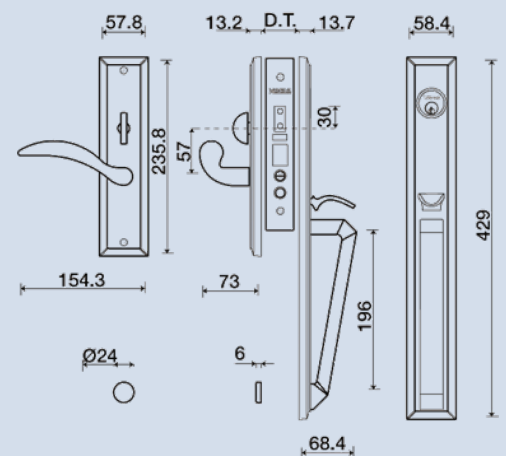
### Mortise Lock

Kaba Tech B mortise lockcase

### Cylinder

Kaba experT cylinder - four tumbler pin rows cylinder

### Drawing



# Aurora Series - Cayman

## US Mortise Entry Set



### Materials

Solid forged brass

### Finishes

- Inoxbrass
- Inoxchrome

### Standard

Mortise lock: ANSI / BHMA A156.13  
UL Listed

Cylinder: EN1303

### Product code

011031

Note: \* Please refer to our standard terms & conditions of product warranty.

### Model name

Cayman

### Product description

US Mortise Grip Handleset, with furniture designed by Italy "Frascio". The premium handleset "Cayman" made with precious solid forged brass, very fine craftsmanship and provided with timeless finish warranty.

The "Inoxchrome" finishes is manufactured through advanced PVD technology that the product surface can resist against damages from the environment.

Two kinds of finishes are available:

- The "Inoxbrass" finish guarantee for "Lifetime" warranty \*
- The "Inoxchrome" finish guarantee for "15 years" finish warranty\*

### Function

- Main entrance
- Automatic lock
- Emergency egress

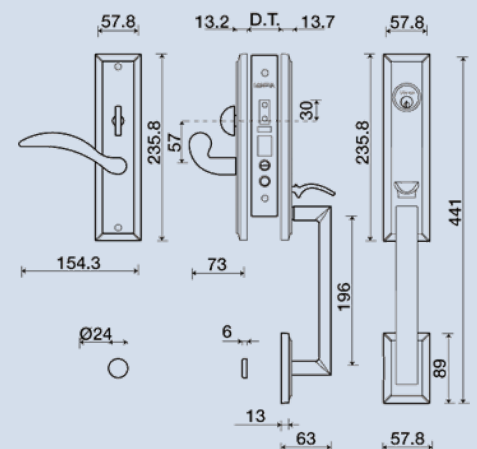
### Mortise Lock

Kaba Tech B mortise lockcase

### Cylinder

Kaba experT cylinder - four tumbler pin rows cylinder

### Drawing



# Aurora Series - SLK

## US Mortise Entry Set



### Materials

Solid forged brass

### Finishes

- Inoxbrass
- Inoxchrome

### Standard

Mortise lock: ANSI / BHMA A156.13  
UL Listed

Cylinder: EN1303

### Product code

011041

Note: \* Please refer to our standard terms & conditions of product warranty.

### Model name

SLK

### Product description

US Mortise Grip Handleset, with furniture designed by Italy "Frascio". The premium handleset "SLK" made with precious solid forged brass, very fine craftsmanship and provided with timeless finish warranty.

The "Inoxchrome" finishes is manufactured through advanced PVD technology that the product surface can resist against damages from the environment.

Two kinds of finishes are available:

- The "Inoxbrass" finish guarantee for "Lifetime" warranty \*
- The "Inoxchrome" finish guarantee for "15 years" finish warranty\*

### Function

- Main entrance
- Automatic lock
- Emergency egress

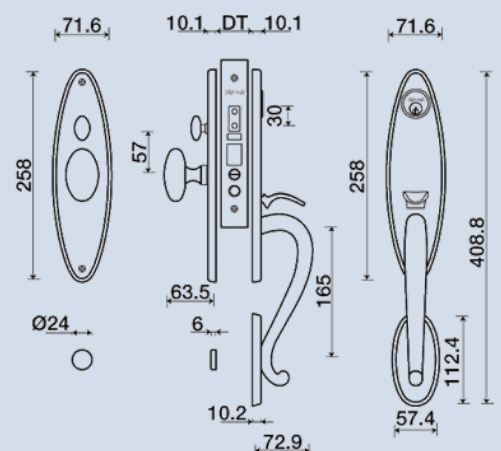
### Mortise Lock

Kaba Tech B mortise lockcase

### Cylinder

Kaba experT cylinder - four tumbler pin rows cylinder

### Drawing



# Aurora Series – CLC

## US Mortise Entry Set



### Materials

Solid forged brass

### Finishes

- Inoxbrass
- Inoxchrome

### Standard

Mortise lock: ANSI / BHMA A156.13  
UL Listed

Cylinder: EN1303

### Product code

011051

Note: \* Please refer to our standard terms & conditions of product warranty.

### Model name

CLC

### Product description

US Mortise Grip Handleset, with furniture designed by Italy "Frascio". The premium handleset "CLC" made with precious solid forged brass, very fine craftsmanship and provided with timeless finish warranty.

The "Inoxchrome" finishes is manufactured through advanced PVD technology that the product surface can resist against damages from the environment.

Two kinds of finishes are available:

- The "Inoxbrass" finish guarantee for "Lifetime" warranty \*
- The "Inoxchrome" finish guarantee for "15 years" finish warranty\*

### Function

- Main entrance
- Automatic lock
- Emergency egress

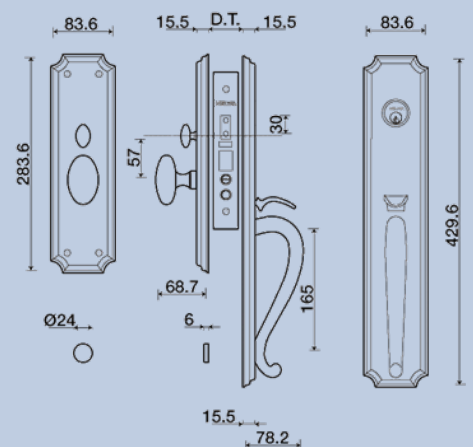
### Mortise Lock

Kaba Tech B mortise lockcase

### Cylinder

Kaba experT cylinder - four tumbler pin rows cylinder

### Drawing



# Aurora Series – Hummer

## US Mortise Entry Set



### Model name

Hummer

### Product description

US Mortise Grip Handleset, with furniture designed by Italy "Frascio". The premium handleset "Hummer" made with precious solid forged brass, very fine craftsmanship and provided with timeless finish warranty.

The "Inoxchrome" finishes is manufactured through advanced PVD technology that the product surface can resist against damages from the environment.

Two kinds of finishes are available:

- The "Inoxbrass" finish guarantee for "Lifetime" warranty \*
- The "Inoxchrome" finish guarantee for "15 years" finish warranty\*

### Function

- Main entrance
- Automatic lock
- Emergency egress

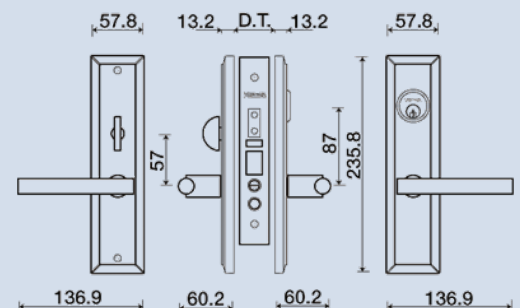
### Mortise Lock

Kaba Tech B mortise lockcase

### Cylinder

Kaba experT cylinder - four tumbler pin rows cylinder

### Drawing



### Materials

Solid forged brass

### Finishes

- Inoxbrass
- Inoxchrome

### Standard

Mortise lock: ANSI / BHMA A156.13  
UL Listed

Cylinder: EN1303

### Product code

011061

Note: \* Please refer to our standard terms & conditions of product warranty.

# Aurora Series – Michel

## US Mortise Entry Set



### Model name

Michel

### Product description

US Mortise Grip Handleset, with furniture designed by Italy "Frascio". The premium handleset "Michel" made with precious solid forged brass, very fine craftsmanship and provided with timeless finish warranty.

The "Inoxchrome" finishes is manufactured through advanced PVD technology that the product surface can resist against damages from the environment.

Two kinds of finishes are available:

- The "Inoxbrass" finish guarantee for "Lifetime" warranty \*
- The "Inoxchrome" finish guarantee for "15 years" finish warranty\*

### Function

- Main entrance
- Automatic lock
- Emergency egress

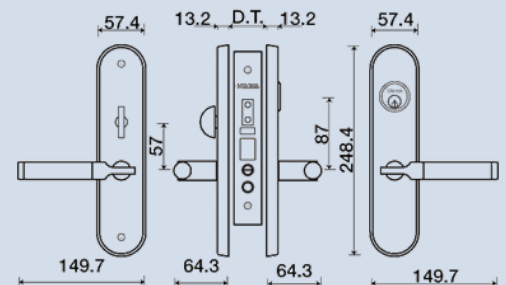
### Mortise Lock

Kaba Tech B mortise lockcase

### Cylinder

Kaba experT cylinder - four tumbler pin rows cylinder

### Drawing



### Materials

Solid forged brass

### Finishes

- Inoxbrass
- Inoxchrome

### Standard

Mortise lock: ANSI / BHMA A156.13  
UL Listed

Cylinder: EN1303

### Product code

011071

Note: \* Please refer to our standard terms & conditions of product warranty.

# Aurora Series – GT3

## US Mortise Entry Set



### Model name

GT3

### Product description

US Mortise Grip Handleset, with furniture designed by Italy "Frascio". The premium handleset "GT3" made with precious solid forged brass, very fine craftsmanship and provided with timeless finish warranty.

The "Inoxchrome" finishes is manufactured through advanced PVD technology that the product surface can resist against damages from the environment.

Two kinds of finishes are available:

- The "Inoxbrass" finish guarantee for "Lifetime" warranty \*
- The "Inoxchrome" finish guarantee for "15 years" finish warranty\*

### Function

- Main entrance
- Automatic lock
- Emergency egress

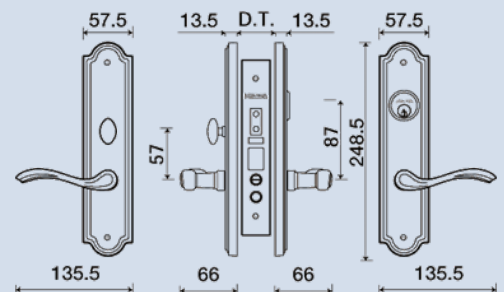
### Mortise Lock

Kaba Tech B mortise lockcase

### Cylinder

Kaba experT cylinder - four tumbler pin rows cylinder

### Drawing



### Materials

Solid forged brass

### Finishes

- Inoxbrass
- Inoxchrome

### Standard

Mortise lock: ANSI / BHMA A156.13  
UL Listed

Cylinder: EN1303

### Product code

011081

Note: \* Please refer to our standard terms & conditions of product warranty.