



The Contactless 790 Series

Electronic Locking Devices and Accessories

Lock Overview

Using the latest in Contactless read-write technology the 790 Series door lock offers high level of security and installs quickly in place and is available in cylindrical, standard mortise (ASM) or slim mortise (ESM) versions. Each lock maintains an audit trail to create user accountability. The 790 door locks provide emergency access through a choice of mechanical key (fixed or recodable), plus an electronic override and an emergency keycard. Egress is by interior handle and is free at all times. The ASM mortise version features a 1-inch solid metal deadbolt activated by an inside thumb turn (or with optional auto deadbolt), ADA (Americans with Disabilities Act) compliant levers, and audible and visible feedback. The attractive and robust design of the lock compliments any decor and is a perfect System 700 retrofit lock.

The 790 door lock can also be protected by our Ocean-Front finish, which is ideal for ocean front applications.

Applications

- Suitable for small to very large hotels, with no limit on the number of locks
- Easily replaces existing mechanical or electronic door locks throughout a facility
- Access control for guest rooms and facilities, as well as back-of-the-house

Product Benefits

- Refined finishes and lock design compliments your existing decor
- Ocean-Front finish is ideal for ocean front applications
- Easy and economical upgrade from System 700
- Added security with electronic override. Records authorization number, date and time.
- Only 3 AA batteries
- User friendly for physically impaired guests & staff (Contactless reader)
- ADA thumbturn Adapter available for Disability rooms
- Completely field reversible
- An instructional video is available to assist with installation
- All electronics and batteries are located in the outside housing to ensure easy battery replacement without disturbing guests
- Can read keycard encoded in either Kaba Ilco proprietary format or Standard ISO for track 3 (thrift)

Security Features

- Vandalism and attack resistant
- 1" solid deadbolt (optional auto deadbolt) ASM has a solid zinc deadbolt with hardened steel dowel pin
- Emergency access: Emergency keycard, mechanical key (fixed or recodable), electronic override, or drill point
- Override options:
 - Electronic Override (Standard): The electronic override is performed by using the Maintenance Unit (FDU or M-Unit for ATLAS) and the programming module and has full audit trail capability
 - Mechanical Key Override: Concealed, Lori cylinder with reversed lockwood 1004A keyway
 - Mechanical Recodable: Concealed; recodable cylinder using 3 separate keys.

Low Maintenance

- Operates with a completely sealed contactless reader (no readers to clean, card is only presented to reader avoiding all confusion)
- Batteries last for up to 50,000 openings or approximately 2 to 3 years
- Low battery indicator alerts staff
- Lock programming and audit are not erased during battery replacement
- Wear resistant construction and finish
- Upgradeable lock software on-site

Cards and Accessories

- Off-the-shelf RFID cards or tags (ISO 14443, Mifare)
- Custom printed keycards advertise your establishment or related services (including embossed keycards)

The Contactless 790 Series

Lock Overview



Mechanical Features

Description:	Heavy duty electronic lockset (mortise or cylindrical) with clutch mechanism and built-in concealed Contactless Smart reader
Handing:	Left or Right factory handed mortise, field reversible handing (lever and mortise)
Lever:	ADA compliant, outside lever free to rotate upward and downward in locked mode Lever clearance (space from lever to door) Long Lever 770 = $\frac{7}{32}$ " (2.3mm) 770K = $\frac{7}{32}$ " (2.3mm) Short Lever 770 = $1\frac{3}{4}$ " (43.75mm) 770K = 2" (50mm)
Deadbolt:	1" (25 mm) (for ASM Mortise) or $2\frac{7}{32}$ " (21.4 mm) (for ESM Mortise) solid metal, projected by inside thumbturn and retracted with the latch by the interior handle, emergency override or specific staff keycards. Optional auto deadbolt available.
Dimensions:	Door thickness from $1\frac{3}{8}$ " to $2\frac{1}{2}$ " (35mm to 66mm); Lever return within $\frac{1}{2}$ " of door
Shipping weight:	8.5 lbs (3.8 kg)
Housing construction:	Cast zinc alloy (outside housing, levers and thumbturn), Stainless Steel inside housing
Standard finishes:	Satin Chrome, Satin Brass, and optional Ocean-Front finish
Standard backset:	$2\frac{3}{4}$ " (70mm) backset, $2\frac{3}{8}$ " (60mm) backset also available for cylindrical lock

Batteries

Alkaline:	3 AA Batteries Up to 50,000 openings or approximately 2 to 3 years (based on 10 openings per day) Low battery indicator: alerts staff that batteries need to be changed soon
-----------	--



The Contactless 790 Series

Lock Overview

Lock Operation

Date/time stamp:	Real time; date and hours/minutes
Programming and Audit trail downloading:	Using Maintenance Unit – FDU with communication cables or M-Unit for ATLAS with IPM.
Pre-registered keycards:	Up to 10 days in advance
Keycard expiry:	From 1 hour to 7 years, depending on type and setup
Passage mode:	Set by authorized keycard
Lockout mode:	Set by authorized keycard
Keycards accepted:	RFID cards or tags (ISO 14443, Mifare)
Feedback:	“Dual sensory” audible and visible indicators
Diagnostics:	Built-in battery voltage meter and lock version display
Audit memory:	Last 400 transactions stored in lock (lock audit can be retrieved using M-unit or FDU or using lock audit keycard)
Disability Feature:	Extended unlock time (4 seconds standard, 15 seconds for disability)
Privacy override:	By Guest Keycard user selectable

Certification and Testing

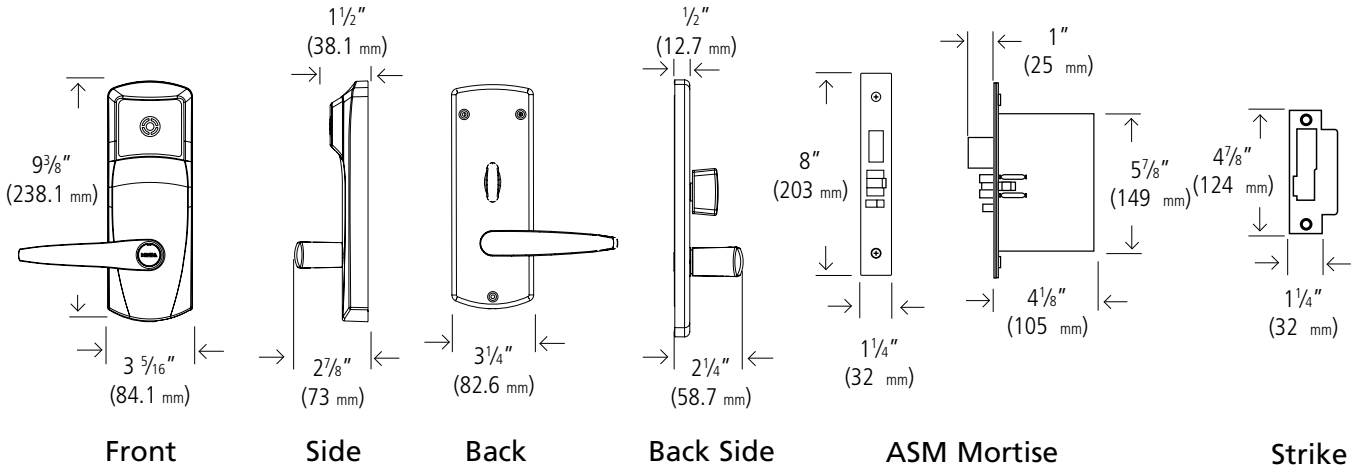
Accessibility standard:	ADA compliant lever handles
Fire rating:	Meets UL 10C and ULC S-104, on fire door rated up to and including 3 hours (Applies also to a System 700 retrofit)
Electronics:	FCC Part 15 Class A and CE directive 89/336/EEC compliant
Durability:	Meet requirements of ANSI A156.25
Environmental Operating Conditions:	32°F to 151°F (0°C to 66°C), for inside housing 0% to 85% non-condensing humidity at 86°F (30°C) -31°F to 151°F (-35°C to 66°C) for outside housing

Warranty

Warranty:	2 years
-----------	---------

The Contactless 790 Series

American Steel Mortise (ASM) Lock 1 1/4" Mortise



790

Standard Model (Example)									
790	10	1	1	K	R	1	0	-	626
Model	Locking Device	Lever	Type	Override	Handing	Version	Door Thickness		Finish

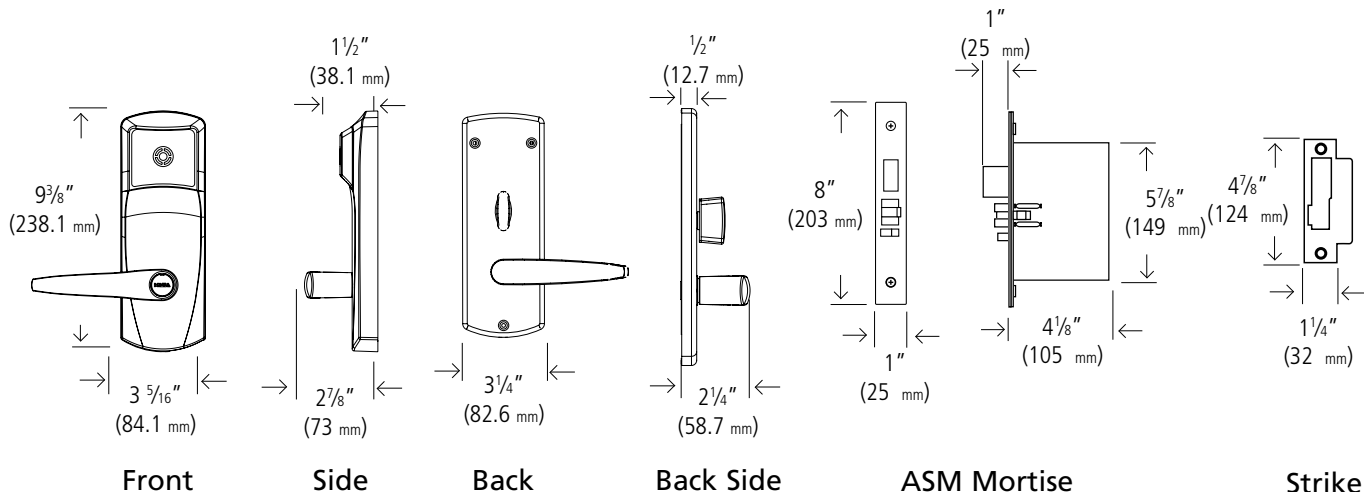
Build the model number with the desired options									
79		1				1	0	-	
Model	Locking Device	Lever	Override	Handing	Version	Door Thickness	Finish		

Model	Locking Device	Lever Type	Override	Handing	Version	Door Thickness	Finishes
790 Hotel Lock Deadbolt operated by the thumbturn. Recommended for guestroom.	2 3/4" (70 mm) Backset	1 Long/Long	E Electronic	L Left or Right reverse (Y)	1 Contactless Reader	0 1 5/8" - 2 1/2" (41-63 mm) For doors greater than 2 1/2" (63 mm) order a thick door kit in Lock Accessories Miscellaneous section.	626 Satin Chrome 606 Satin Brass 827 Satin Chrome Supreme Finish
795 ** Shabbat Lock Deadbolt operated by thumbturn. Recommended for guestroom. Shabbat compliant lock.	10 ASM, with 1 1/4" (32 mm) face plate, field reversible handing 40 ASM, with 1 1/4" (32 mm) face plate, field reversible handing (Strike not included)	1 Long/Long <i>Front</i> <i>Back</i>	K Mechanical key cylindrical Lori universal (1539) key-in-knob	R Right or Left reverse (X)			
791 Storeroom Lock No deadbolt, inactive thumbturn, no privacy. Recommended for closets or common areas. Or Office Lock No deadbolt. Privacy activated with thumbturn. Recommended for offices.	16 Auto Deadbolt ASM with 1 1/4" (32 mm) face plate, field reversible handing 46 Auto Deadbolt ASM with 1 1/4" (32 mm) face plate, field reversible handing (Strike not included)	2 Short/Short*** <i>Front</i> <i>Back</i>	OR Mechanical recodable key cylinder	F* Dual Handed (L & R), Left Hand Reverse, Right Hand Reverse (X & Y)			
793 Dummy Lock For aesthetic use only.	00 No locking mechanism	8 Long/Long Inside at 45° <i>Front</i> <i>Back</i>	Must specify on lock order which type of key cylinder is required B Best cylinder adaptor (not concealed)	N N/A			

Note: * Locks are assembled "Right-Hand" and may be field reversed for Left-Hand doors.
 ** Shabbat lock version available only with Lori cylinder, not recodable core.
 *** Use short levers when molding are within 4 1/2" (11cm) and 8" (20.32cm) from the edge of the door

The Contactless 790 Series

American Steel Mortise (ASM) Lock 1" Mortise



Standard Model (Example)

7
9
0
1
1
1
1
K
L
1
0 - 6
2
6

Model Locking Device Type Lever Override Handing Version Door Thickness Finish





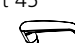



Build the model number with the desired options

7
9

1

1
0 -

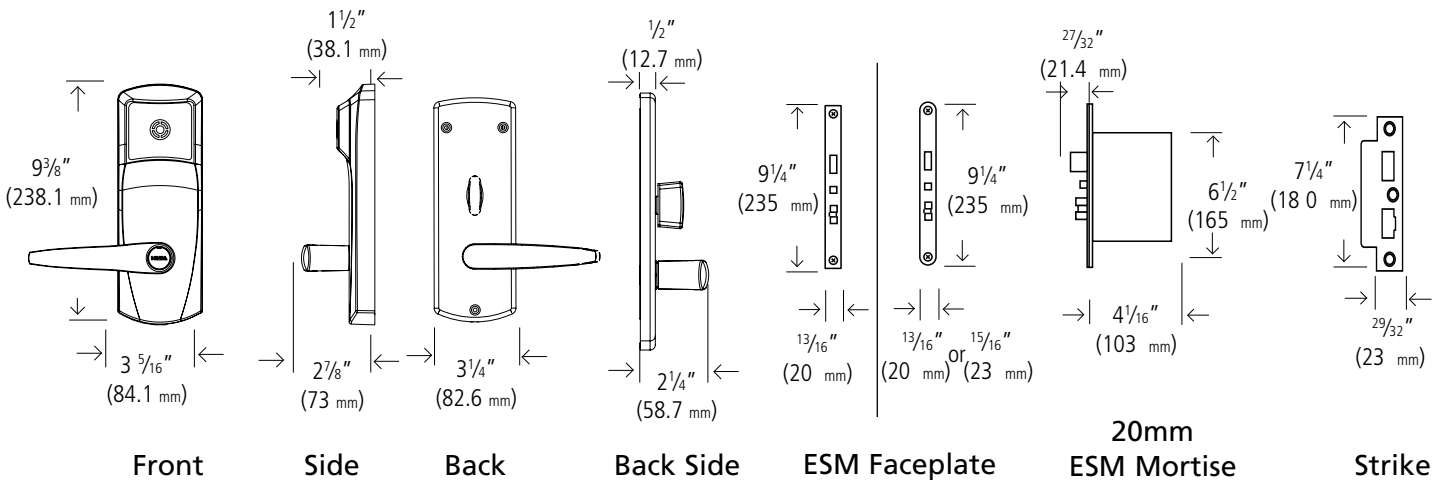
Model Locking Device Lever Override Handing Version Door Thickness Finish

Model	Locking Device	Lever Type	Override	Handing	Version	Door Thickness	Finishes
790 Hotel Lock Deadbolt operated by the thumbturn. Recommended for guestroom.	2 3/4" (70 mm) Backset 11 ASM, with 1" (25 mm) face plate, no field reversible handing 41 ASM, with 1" (25 mm) face plate, no field reversible handing (Strike not included)	1 Long/Long <i>Front</i>  <i>Back</i> 	E Electronic K Mechanical key cylindrical Lori universal (1539) key-in-knob	L Left or Right Hand Reverse (Y) R Right or Left Hand Reverse (X)	1 Contactless Reader	0 1 3/8" - 2 1/2" (35-63 mm) For doors greater than 2 1/2" (63 mm) order a thick door kit in Lock Accessories in Miscellaneous section.	626 Satin Chrome 606 Satin Brass 827 Satin Chrome Supreme Finish
795 * Shabbat Lock Deadbolt operated by thumbturn. Recommended for guestroom. Shabbat compliant lock.	17 Auto Deadbolt ASM with 1" (25.4 mm) face plate, no field reversible handing 47 Auto Deadbolt ASM with 1" (25.4 mm) face plate, no field reversible handing (Strike not included)	2 Short/Short** <i>Front</i>  <i>Back</i> 	OR Mechanical recodable key cylinder Must specify on lock order which type of key cylinder is required				
791 Storeroom Lock No deadbolt, inactive thumbturn, no privacy. Recommended for closets or common areas. Or Office Lock No deadbolt. Privacy activated with thumbturn. Recommended for offices.	13 ASM, with 1" (25 mm) face plate, no field reversible handing 43 ASM, with 1" (25 mm) face plate, no field reversible handing (Strike not included)	8 Long/Long Inside at 45° <i>Front</i>  <i>Back</i> 	B Best cylinder adaptor (not concealed)				
793 Dummy Lock For aesthetic use only.	00 No locking mechanism	H Short/Short** Inside at 45° <i>Front</i>  <i>Back</i> 		N N/A			

Note: * Shabbat lock version available only with Lori cylinder, not recodable core.
** Use short levers when molding are within 4 1/2" (11cm) and 8" (20.32cm) from the edge of the door.

The Contactless 790 Series

Slim Mortise (ESM) Lock



790

Standard Model (Example)									
790	30	1	1	K	R	1	0	-	626
Model	Locking Device	Type Lever	Override	Handing	Version	Door Thickness	-		Finish

Build the model number with the desired options									
79		1				1	0	-	
Model	Locking Device	Type Lever	Override	Handing	Version	Door Thickness	-		Finish

Model	Locking Device	Lever Type	Override	Handing	Version	Door Thickness	Finishes	
790 Hotel Lock Deadbolt operated by thumbturn. Recommended for guestroom. 795 * Shabbat Lock Deadbolt operated by thumbturn. Recommended for guestroom. Shabbat compliant lock.	2 3/4" (70 mm) Backset 00 No locking mechanism, no strike 30 ESM, with no faceplate, field reversible handing	1 Long/Long <i>Front</i> <i>Back</i>	E Electronic K Mechanical key cylindrical Lori universal (1539) key-in-knob	L*** Left or Right Hand Reverse (Y) R Right or Left Hand Reverse (X) N No locking mechanism	1 Contactless Reader	0 1 3/8" - 2 1/2" (35-63 mm) For doors greater than 2 1/2" (63 mm) order a thick door kit in Lock Accessories Miscellaneous section.	626 Satin Chrome 606 Satin Brass 827 Satin Chrome Supreme Finish	
		791 Storeroom Lock No deadbolt, inactive thumbturn, No privacy. Recommended for closets or common areas. Or Office Lock No deadbolt. Privacy activated with thumbturn. Recommended for offices.	31 ESM, with no faceplate, field reversible handing	2 Short/Short** <i>Front</i> <i>Back</i>			OR Mechanical recodable key cylinder Must specify on lock order which type of key cylinder is required	8 Long/Long Inside at 45° <i>Front</i> <i>Back</i>

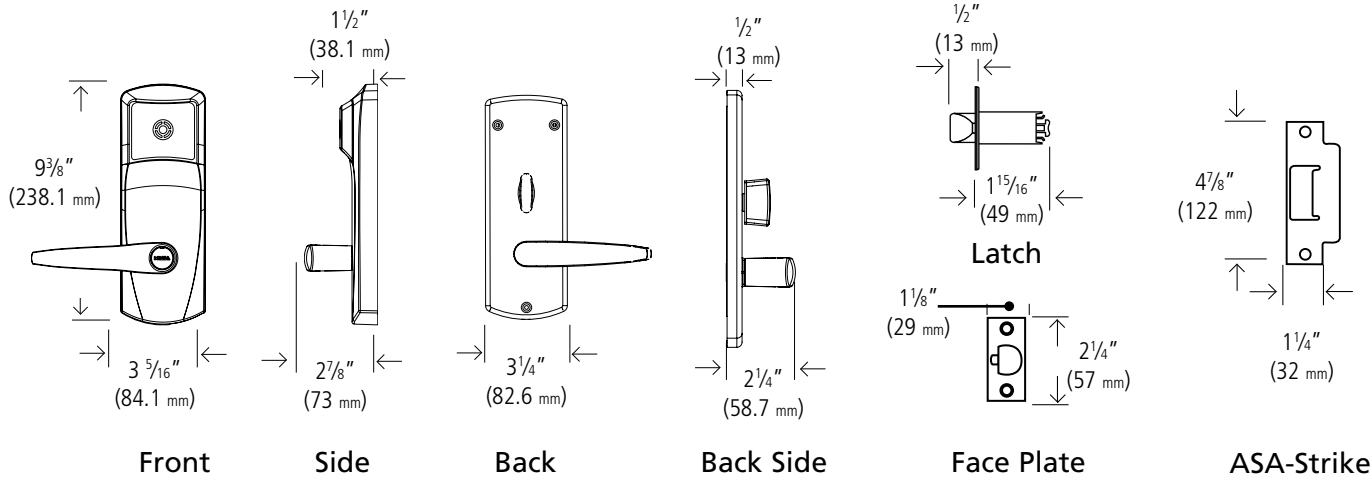
Note: * Shabbat lock version available only with Lori cylinder, not recodable core.

** Use short levers when molding are within 4 1/2" (11cm) and 8" (20.32cm) from the edge of the door.

*** Refer to handing text box

The Contactless 790 Series

Cylindrical Lock



Standard Model (Example)

7
9
1
5
0
1
1
K
F
1
-
0
-
8
2
7

Model Locking Device Type Lever Override Handing Version Door Thickness Finish




Build the model number with the desired options

7
9

1

1
-

Model Locking Device Type Lever Override Handing Version Door Thickness Finish

Model	Locking Device	Lever Type	Override	Handing	Version	Door Thickness	Finishes
791 Storeroom Lock No deadbolt. Inactive thumbturn, no privacy. Recommended for closets or common areas. Or Office Lock No deadbolt. Privacy activated with thumbturn. Recommended for offices.	50 2 3/4" (70 mm) Backset with 1/2" (13 mm) latch 54 2 3/8" (60 mm) Backset with 1/2" (13 mm) latch	1 Long/Long <i>Front</i>  <i>Back</i> 	E Electronic K Mechanical key cylindrical Lori universal (1539) key-in-knob OR Mechanical recodable key	F Dual Handing left hand, right hand (L & R), Left Hand Reverse, Right Hand Reverse (X & Y) (Assembled RH)	1 Contactless Reader	0 1 3/8" - 2 1/2" (35-63 mm) For doors greater than 2 1/2" (63 mm) order a thick door kit in Lock Accessories Miscellaneous section.	626 Satin Chrome 606 Satin Brass 827 Satin Chrome Supreme Finish
		793 Dummy Trim No moving parts, no electronics. For aesthetic use only.	00 No locking mechanism	2 Short/Short <i>Front</i>  <i>Back</i> 