

PowerLever® PROX



Model 9550 PROX Series



- PIN, PROX or Dual Credential Access
- 3,000 Users
- 30,000 Audit Events
- Access Schedules
- ANSI/BHMA Grade-1 Certified

Features

Access Control:	Self-powered electronic lock—eliminates problems and costs associated with issuing, controlling and collecting keys		
Operation & Maintenance:	No batteries means no maintenance		
Locking Device Option:	Cylindrical: Cylindrical latch with 3-hour UL/ULC fire rating Exit Rim Device: Compatible with most leading brands of Exit Devices (Exit Device and Mounting Hardware not included)		
Number of Codes:	Multiple Codes - 3,000 users		
Programming:	PDA handheld device and software		
Handing:	True non-handed suitable for RH, LH, RHR, LHR (Door lock only), and field reversible (Exit Device only)		
Mechanical Key Override:	Conventional cylinders with 2 keys or prepared small format interchangeable core (not included)		
Compatible Interchangeable Cores:	Arrow, Best, Falcon, KSP or Keymark (core not supplied)		
Operation Modes:	<ul style="list-style-type: none"> • Dual credential access with PIN and PROX • Passage • Lockout 		
Exit Device Compatibility:	Von Duprin 98/99 and 98-F/99-F (manufactured after 1985)	Arrow S3801 Arrow S3803	Dorma F9300 Precision 1103
	Von Duprin 22/22-F	Arrow F-S3801	Precision FL1103
	Sargent 8888	Arrow S-3803	Monarch 18-R
	Sargent 12-8888	Dorma 9300	Monarch F-18-R

ATTENTION: Compatibility is subject to change if modifications are made by Exit Device manufacturers without Kaba Access Control's knowledge.



Mechanical Features

Construction:	Heavy-duty self-powered electronic cylindrical lockset with clutch mechanism; built in numeric keypad
Numeric Keypad:	Epoxy coated metal buttons
Handing:	True non-handed suitable for RH, LH, RHR, LHR (Door lock only), and field reversible (Exit Device only)
Lever Type:	ADA compliant, outside lever free to rotate in locked mode
Door Preparation:	ASA 161 with minor modifications
Weatherproofing for Exterior Applications:	Requires Pro-Gasket kit (Part number 404073); Pro-Guard weather shield required in freezing rain environment
Dimensions:	Door thickness from 1 3/8" to 2" (35 mm to 51 mm) adjustable without any tools
Housing and Lever Construction:	Solid cast zinc; concealed mounting and assembly screws
Standard Finishes:	Satin Chrome 626 (26D) housings and levers, Black 676 housings with Satin Chrome 626 (26D) levers and accents

Electrical Features

Batteries:	None
Internal Clock:	Real Time
Communication and Programming:	PDA handheld device and software
Reset Switch:	Recoverable Master code

Lock Operation

Access Type:	Variable PIN, PROX or Dual Credential Access
Feedback:	Audible & Visual LEDs
Management Software:	Windows 98SE and newer
Maximum Number Users:	3,000
Audit Trail (with date & time stamp):	30,000 events
Programmable Schedule:	16 user defined schedules, plus (1) 24-hour access
Holidays:	32
User Levels:	Master, Manager, Access, Service, and M-Unit
Tamper Lockout:	Programmable (Manager and Master) wrong try limit from 4 to 9 attempts, with penalty duration from 0 to 15 seconds
Emergency Access:	Mechanical key override
Passage Mode:	Electronic, set by authorized master or manager
Door Relock Time:	Programmable from 2 to 15 seconds (Manager or Master)
Daylight Savings Time:	Toggle forward or back (Manager or Master)

Certification and Testing

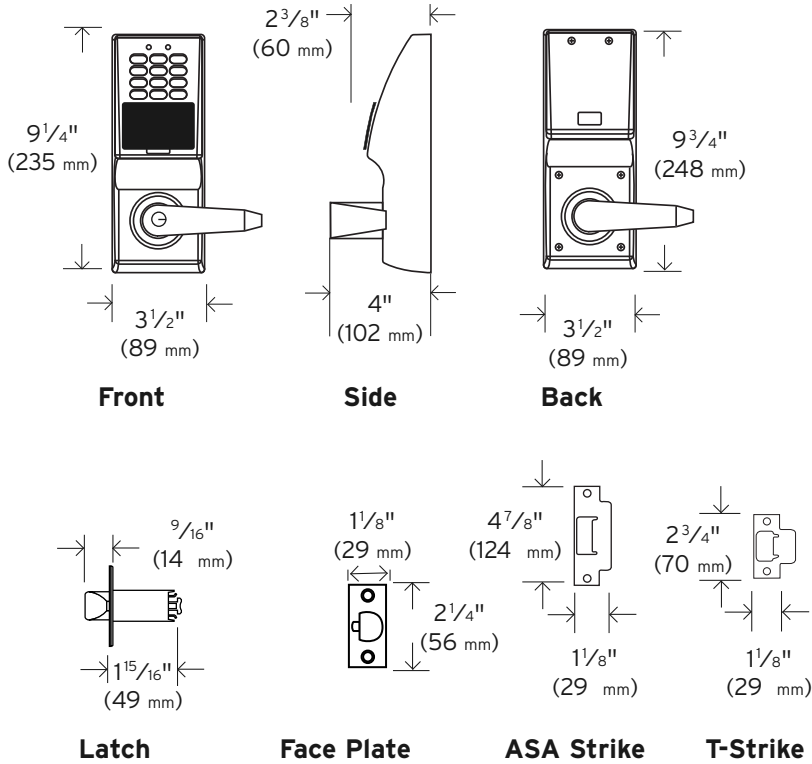
Accessibility Standards:	ADA compliant lever handle
Fire Rating:	3-hours UL/ULC
Environmental Operating Conditions:	Operating temperature: -13°F to 151°F (-25°C to 66°C); Operating humidity: 24 hour exposure at 85% and 86°F (30°C), as defined in UL 2058, sec. 23; withstands rain and dust (1 hour exposure as defined in UL 2058, sec. 36 and 37); withstands salt spray (96-hour exposure as defined in UL 437, sec. 12).
Durability:	Grade 1 certified; BHMA A156.2/156.25 (door locks); BHMA A156.25/156.3 (exit device operators)

PowerLever® PROX

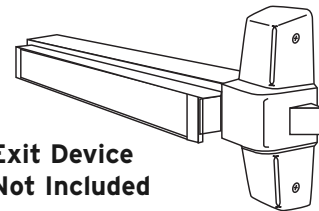
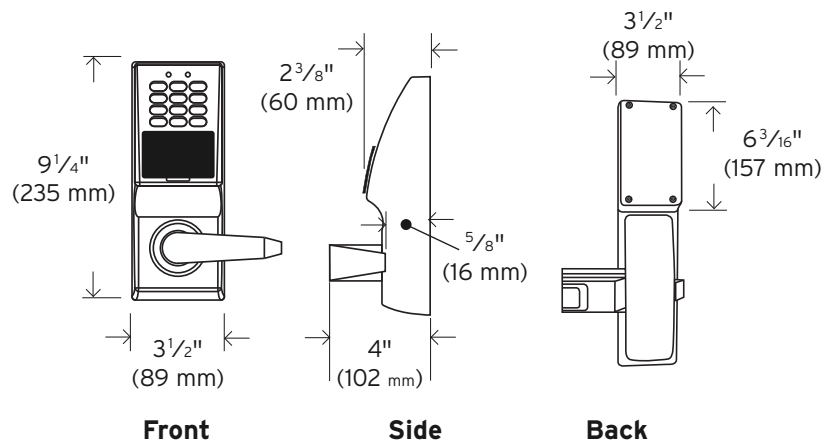


Model 9550 Cylindrical

Cylindrical



Exit Trim

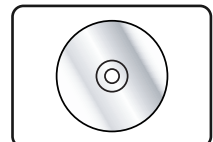


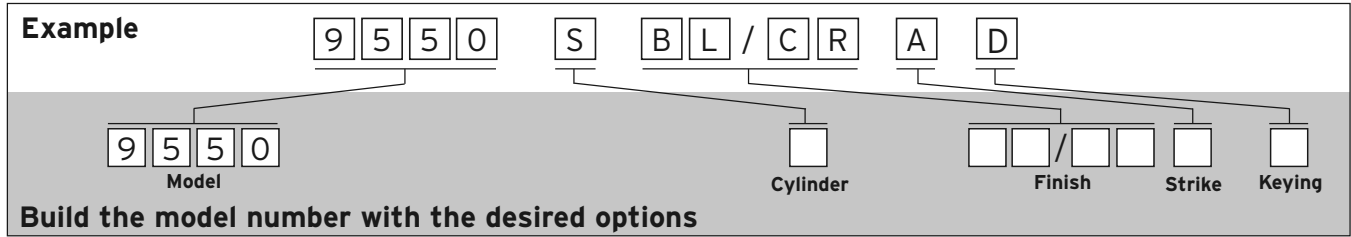
**Exit Device
 Not Included**

Rim Exit Device

Required Features

PC Software





Base Model	Description
9550SBLCRAD	9550, Cylindrical, Key-in-Lever, Pin and PROX, Black Housings with Satin Chrome Levers

Notes

Software Required (see page 133)

Choose one option from each category

Model Options	Description
9550	9550 Series, Cylindrical Lock, Pin and Prox

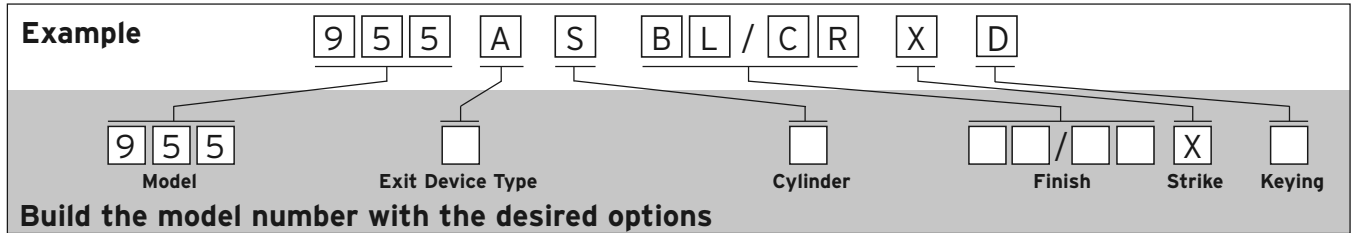
Key Override Options	Description
S	K-I-L Standard Conventional Cylinder Included, Schlage "C" Keyway
I	I/C Prepared For Interchangeable Cores (Small Format)

Finish Options	Description
BL/CR	Black Housings with Satin Chrome Levers
CR/CR	Satin Chrome Housings with Satin Chrome Levers

Strike Options	Description
A	ASA Strike

Keying Options	Description
D	Keyed Different/(Key-in-Lever Models Only)
X	N/A (Small Format Interchangeable Core Models Only)

955x Series – Exit Trim



Base Model	Description
955ASBLCRXD	955x, Exit, Key-in-Lever, Pin and PROX, Black Housings with Satin Chrome Levers

Keying Options	Description
D	Keyed Different/(Key-in-Lever Models Only)
X	N/A (Small Format Interchangeable Core Models Only)

Choose one option from each category

Model Options	Description
955	955x Series, Exit Device Operator

Exit Device Options	Description
A	Von Duprin 98/99 & 98-F/99-F Manufactured after 1985
B	Von Duprin 22/22-F
C	Sargent 8888, 12-8888, Arrow S3801;S3803, F-3801, S-3803
D	Dorma 9300, F9300
E	Precision 1103, FL1103
F	Monarch 18-R, F-18-R
G	Yale 7100/Corbin/Russwin 5200
H	Precision 2100 Series

Key Override Options	Description
S	K-I-L Standard Conventional Cylinder Included, Schlage "C" Keyway
I	I/C Prepared For Interchangeable Cores (Small Format)

Finish Options	Description
BL/CR	Black Housings with Satin Chrome Levers
CR/CR	Satin Chrome Housings with Satin Chrome Levers

Strike Options	Description
X	Not Applicable

Notes

Can not be used with Mortise design or most vertical rod Exit Devices

Software optional—see page 133

ATTENTION: Compatibility is subject to change if modifications are made by Exit Device manufacturers without Kaba Access Control's knowledge.