

PowerLever®

1550 Series



- **PIN & ID**
- **20 Users**
- **No Batteries**
- **Easy to Maintain**
- **ANSI/BHMA Grade-1 Certified**

Features

Access Control:	Electronic lock—eliminates problems and costs associated with issuing, controlling and collecting keys
Operation & Maintenance:	No batteries means very little maintenance
Locking Device Option:	Cylindrical latch with 3-hour UL/ULC fire rating
Number of Codes:	Multiple Codes—Up-to-20 unique access codes
Programming:	Easy to program at the keypad
Handing:	True non-handed suitable for RH, LH, RHR, and LHR (Door lock only)
Mechanical Key Override:	Conventional cylinders with 2 keys or prepared small format interchangeable core (not included)
Compatible Interchangeable Cores:	Arrow, Best, Falcon, KSP or Keymark (core not supplied)
Operation Modes:	<ul style="list-style-type: none">• Single credential access with PIN• Passage• Lockout

Mechanical Features

Construction:	Heavy-duty self-powered electronic cylindrical lockset with clutch mechanism; built in numeric keypad
Numeric Keypad:	Epoxy coated metal buttons
Handing:	True non-handed suitable for RH, LH, RHR, LHR (Door lock only)
Lever Type:	ADA compliant, outside lever free to rotate in locked mode
Door Preparation:	ASA 161 with minor modifications
Weatherproofing for Exterior Applications:	Requires Pro-Gasket kit (Part number 404073); Pro-Guard weather shield required in freezing rain environment
Dimensions:	Door thickness from 1 3/8" to 2" (35 mm to 51 mm) adjustable without any tools
Housing & Lever Construction:	Solid cast zinc; concealed mounting and assembly screws
Standard Finishes:	Satin Chrome 626 (26D) housings and levers, Black 676 housings with Satin Chrome 626 (26D) levers and accents

Electronic Features

Batteries:	None
Internal Clock:	Real Time
Communication & Programming:	Easy to program at the keypad
Reset Switch:	Recoverable master code

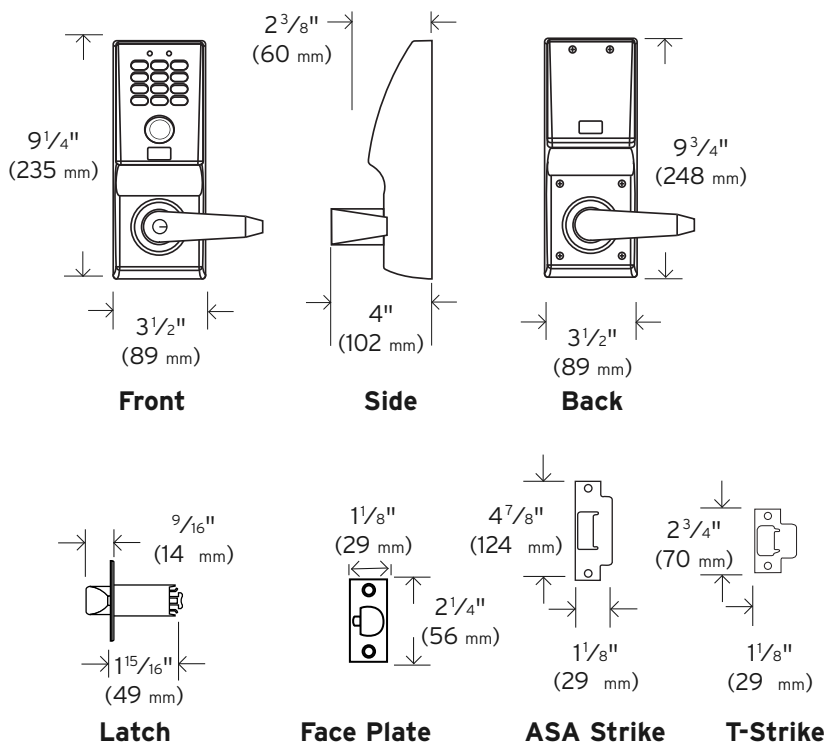
Lock Operations

Access Type:	Variable PIN
Feedback:	Audible & Visual LEDs
Maximum Number Users:	20
User Levels:	Master, Manager, Access, Service, and M-Unit
Tamper Lockout:	Programmable (Manager and Master) wrong try limit from 3 to 9 attempts, with penalty duration from 0 to 90 seconds
Emergency Access:	Mechanical key override
Passage Mode:	Electronic, set by authorized master or manager
Door Relock Time:	Programmable from 2 to 15 seconds (Manager or Master)
Daylight Savings Time:	Toggle forward or back (Manager or Master)

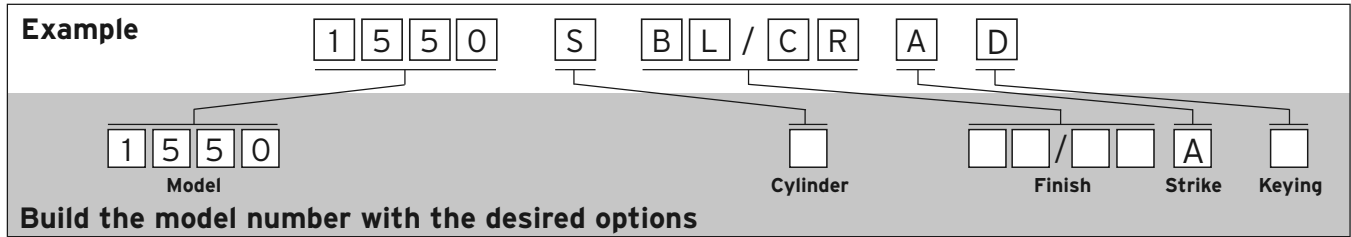
Certification and Testing

Accessibility Standards:	ADA compliant lever handle
Fire Rating:	3-hours UL / ULC
Environmental Operating Conditions:	Operating temperature: -13°F to 151°F (-25°C to 66°C); Operating humidity: 24 hour exposure at 85% and 86°F (30°C), as defined in UL 2058, sec. 23; withstands rain and dust (1 hour exposure as defined in UL 2058, sec. 36 and 37); withstands salt spray (96-hour exposure as defined in UL 437, sec. 12).
Durability:	ANSI/BHMA Grade 1 Certified for Mortise Electronic Locks (A156.13 and A156.25)

Cylindrical



1550 Series



Base Model	Description
1550SBLCRAD	1550, Cylindrical, Key-in-Lever, Black Housings with Satin Chrome levers

Choose one option from each category

Model Options	Description
1550	1550 Series, Cylindrical Lock

Key Override Options	Description
S	K-I-L Standard Conventional Cylinder Included, Schlage "C" Keyway
I	I/C Prepared For Interchangeable Cores (Small Format)

Finish Options	Description
BL/CR	Black Housings with Satin Chrome Levers
CR/CR	Satin Chrome Housings with Satin Chrome Levers

Strike Options	Description
A	ASA Strike

Keying Options	Description
D	Keyed Different/(Key-in-Lever Models Only)
X	N/A (Small Format Interchangeable Core Models Only)