



- PIN/PROX or Dual Credential
- Electronic Pushbutton Lock
- 3,000 Access Codes
- 30,000 Audit Events
- Access Schedules
- ANSI/BHMA Grade-1 Certified

Features

Access Control:	Electronic lock with dual credential capability—PIN and/or PROX card (HID, 125kHz, 26 to 84-bit format). Lock is scheduled to require credentials based on security and convenience requirements. <ul style="list-style-type: none"> • PIN only • PROX card only • PIN + PROX card
No Wires:	E-Plex's Patented LectroBolt™ eliminates running wires to or through the door—no risk of damage from pinched wires that can result in costly callbacks
Locking Device Options:	<ul style="list-style-type: none"> • Cylindrical: Cylindrical latch with 3-hour UL/ULC fire rating • Rim Exit Device: Compatible with most leading brands of Exit Devices (Exit Device and Mounting Hardware not included) • American Standard Mortise: With 1" (25 mm) and 1 ¼" (32 mm) faceplate; with and without deadbolt
Number of Codes:	Multiple Users—3,000 Codes; over 100 million possible code combinations
Programming:	Locks are programmed via E-Plex Advanced Access Control Software (not included)—provides easy management of doors and users
Handing:	Non-handed, pre-assembled for left hand door installations—easily changed in the field
Key Override:	Key-in-Lever/Knob cylinders, small format interchangeable cores, large format removable cores
Scheduling:	Access schedules—Up to 16 different access schedules may be programmed into lock Holiday/Vacation—Up to 32 different holiday/ vacation blocks may be programmed into lock
Operation Modes:	<ul style="list-style-type: none"> • PIN access • Passage—can be toggled on/off or can be pre-programmed to re-lock after a certain number of hours • Lockout
Authority Levels:	Five different levels allow you to control who has access to specific lock functions, including: Service Codes—programmed for one-time access or "come-and-go" access for 1-to-24 hours
User Parameters:	Code length—Adjustable to accept 4 to 8 digits Anti-tamper lockout—Adjustable from 3 to 9 invalid attempts with an adjustable period of 0 to 90 seconds Re-lock time—Adjustable from 2 to 20 seconds

Battery Operation:	Batteries located in interior housing cover; offers quick and easy battery replacement for institutions (Four AA Alkaline batteries provide up to 180,000 cycles). Lock data is maintained if batteries fail.		
Ease of Installation:	LectroBolt™ (patent pending) eliminates wiring to or through the door - no risk of pinched wires		
Exit Device Compatibility:	Arrow S1250	Monarch 18R/F-18R	Sargent 8888
	Arrow S3800	Precision 21/ FL 21	Von Duprin 22/22F
	Corbin Russwin 5200/5200A	Sargent 2828	Von Duprin 98/98F
	Detex 10/F10	Sargent 3828	Von Duprin 99/99F
	Dorma 9300/9300F	Sargent 8800	Yale 7100
	<p>• Cannot be used with Mortise design or most vertical rod Exit Devices</p> <p>ATTENTION: Compatibility is subject to change if modifications are made by Exit Device manufacturers without Kaba Access Control's knowledge.</p>		

Mechanical Features

Construction:	Extra heavy-duty Grade 1 lock; cylindrical lockset, solid cast housings; solid cast zinc levers, cylindrical drive wear tested for extensive use in indoor and outdoor applications
Numeric Keypad:	Vandal resistant, solid metal pushbuttons
Handing:	Non-handed: pre-assembled for left-hand door installation—easily changed in the field
Standard Finishes:	Satin Chrome 626 (26D) housings and levers, Black 676 housings with Satin Chrome 626 (26D) levers and accents
Optional Finishes:	Satin Brass 606 (04), Dark Bronze 744 with Brass Accents, Bright Brass 605 (03), and Bright Chrome 625 (026)
Backset:	<p>Cylindrical: 2 ¾" (70 mm) backset, 2 ⅜" (60 mm) backset</p> <p>Mortise: 2 ¾" (70 mm) backset</p> <p>Exit Trim Model: Varies by exit device</p>
Latches:	<p>Cylindrical Models: ½" (13 mm) throw latch, ¾" (19 mm) throw latch (optional)</p> <p>Mortise Models: ¾" (19 mm) latch, 1" (25 mm) deadbolt (optional)</p>
Minimum Stile Required:	5" (127 mm)
Weight:	Cylindrical and Mortise Models: 8 lbs (3.63 kg)
Exit Trim Models:	10 lbs (4.54 kg)

Key Override

Key Override:	<p>Universal Key-in-Lever Cylinders: Includes Kaba 1599 6-pin cylinder (prepped to Kaba 90 or Schlage "C" Keyway, keyed different) and tailpieces for compatibility with:</p>		
	Abloy 5277	Kaba Gemini 4730	Australian:
	Abloy 5477	Kaba Peaks 1099	Kaba expert 107K5 and
	Arrow C100	Marks	Boyd KC286
	ASSA 65611	Medeco 20W200H1	
	ASSA 65691	Sargent 10 Line	European: Quattro
	Corbin Russwin 2000-03	Schlage 23-001	S/Expert an AP2
	Kaba 1539	Schlage Primus 20-760	(5 and 6-pin)
	Kaba 1599		
	<p>Interchangeable Cores: Small format—Best and equivalent (6 or 7-pin length)</p> <p>Removable Cores: Large format—Medeco/ASSA/Yale (5 or 6-pin), Corbin Russwin, Schlage, and Sargent</p>		

Installation

Ease of Installation:	LectroBolt™ (patent pending) eliminates wiring to or through the door - no risk of pinched wires
Door Preparation:	Easily installs on wood or metal doors; Four bolt installation; No wiring
Door Thickness:	Cylindrical Model: 1 3/8" (35 mm) to 2 1/4" (57 mm); pre-assembled to accommodate doors 1 5/8" (41 mm) to 2" (51 mm); hardware kits included for thin and thick doors
Exit Trim and Mortise Models:	1 3/4" (44 mm) to 2 1/4" (57 mm). Pre-assembled to accommodate doors 1 3/4" (44 mm) to 2 1/8" (54 mm)
Items Supplied Include:	Installation manual, quick reference guide, operations manual, full-scale template, required installation hardware, and tailpiece for specified key override
Additional Items Supplied with Key-in-Lever cylinder model only:	Includes Universal Kaba 1599 6-pin cylinder with tailpiece, four additional tailpieces, two nickel silver keys, and spare cylinder retainer

Electronic Features

Battery:	Batteries located in interior housing; provides quick and easy battery replacement for institutions; Four AA batteries provide up to 180,000 cycles
Indicators:	Audible and visual indicators; low battery visual indicator
Audit Capability:	30,000 Events
Access Schedules:	Up to 32 holiday and vacation blocks and 16 access schedules

Certification and Testing

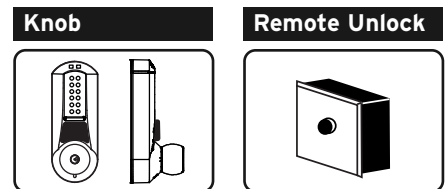
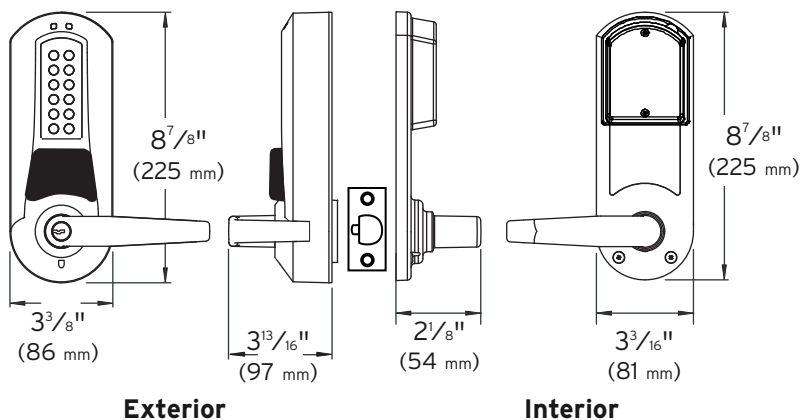
Accessibility Standard:	Americans with Disabilities Act (ADA)
Fire Rating:	3-hour, UL/ULC fire door rating for "A" labeled doors
Durability:	ANSI/BHMA Grade 1 certified (A156.25, A156.2, A156.13, A156.3)
Environmental:	Indoor/Outdoor Approved Front Housing: -31° F (-35° C) to + 151° F (66° C) Rear Housing: -31° F (-35° C) to + 130° F (55° C)

Warranty

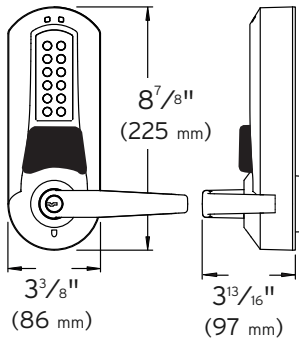
Warranty:	3-year warranty from date of installation; built-in warranty counter in lock memory
------------------	---

Cylindrical

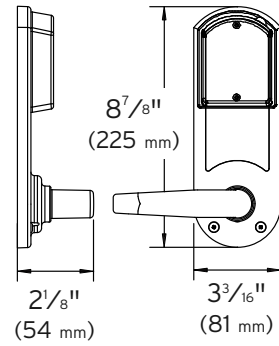
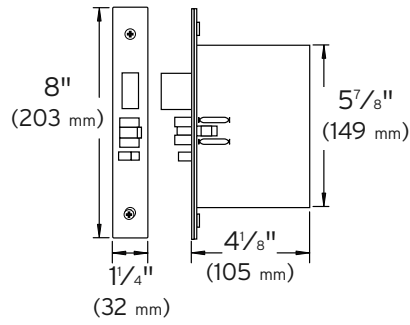
Optional Features



Mortise



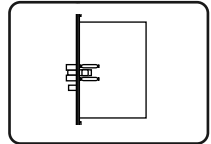
Exterior



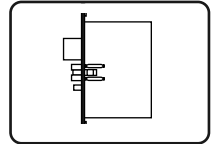
Interior

Optional Features

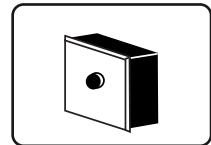
No Deadbolt



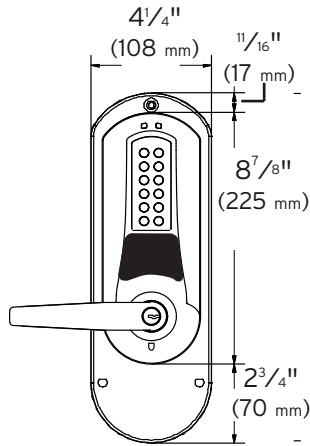
Deadbolt



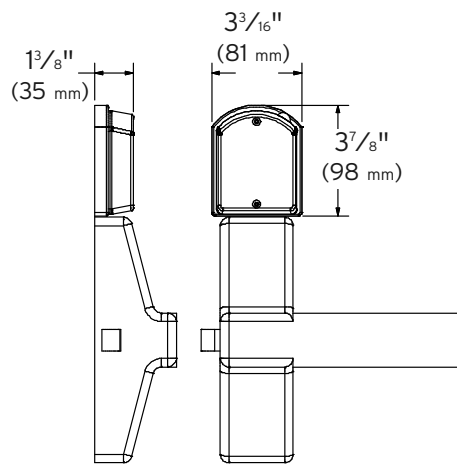
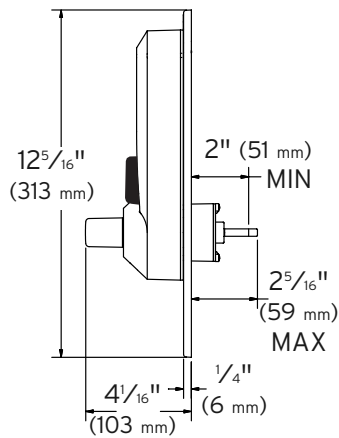
Remote Unlock



Exit Trim



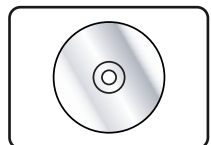
Exterior

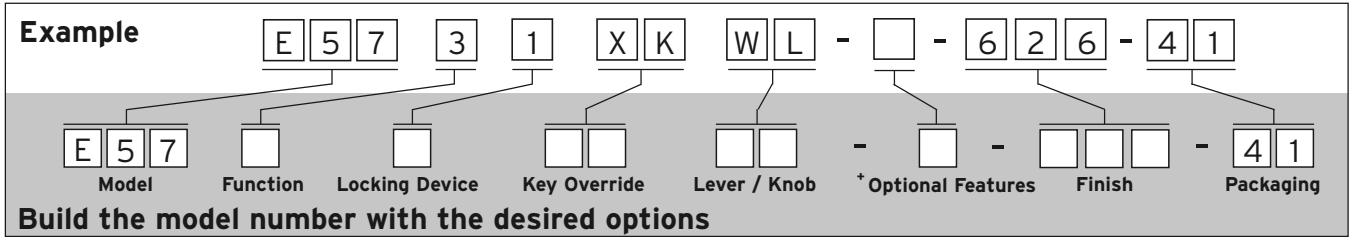


Interior

Required Features

PC Software





Base Model	Description
E5731XKWL62641	E5700, Cylindrical, Key-in-Lever

Choose one option from each category

Function Options	Description
1**	Exit Trim (E.T.)
3	Cylindrical Lock (cyl)
5	Cylindrical with Privacy (cyl)
6	American Steel Mortise (ASM)

Locking Device Options	Description
0**	Exit Trim
1	Cylindrical ½" (13 mm) throw latch floating face plate, 2 ¾" (70 mm) backset
2	Cylindrical ½" (13 mm) throw latch, floating face plate, 2 ¾" (60 mm) backset
5	Cylindrical ¾" (19 mm) throw latch, beveled face plate, 2 ¾" (70 mm) backset
3	Mortise LH-1" (25 mm) Face Plate No Deadbolt
4	Mortise RH-1" (25 mm) Face Plate No Deadbolt
8	Mortise LH-1" (25 mm) Face Plate With Deadbolt
9	Mortise RH-1" (25 mm) Face Plate With Deadbolt
6	Mortise 1 ¼" (32 mm) Face Plate No Deadbolt (Non-Handed)
7	Mortise 1 ¼" (32mm) Face Plate With Deadbolt (Non-Handed)

Key Override Options***	Description
XK	K-I-L Kaba Cylinder (Kaba 90 Keyway) Included
XS	K-I-L Kaba Cylinder (Schlage "C" Keyway) Included
B	I/C Best and Equivalents (6 or 7-pin Length)
C	R/C Corbin Russwin
M	R/C Medeco/ASSA/Yale (5 or 6-pin Length)
R	R/C Sargent
S	R/C Schlage

Lever/Knob Options	Description
WL	Winston Lever
WK	Winston Knob (available with Cylindrical only)

Optional Features+	Description
0	Remote Unlock (Not available with Exit Trim Models)

Finish Options	Description
605	Bright Brass (03)
606	Satin Brass (04)
625	Bright Chrome (026)
626	Satin Chrome (26D)
676	Black with Satin Chrome Accents
744	Dark Bronze with Brass Accents (simulated 10B/613)

E-PLEX®

Notes**Software Required (see page 112)****+ Optional Features**

This field may be left blank if no optional features are required

**** Exit Device Compatibility**

Arrow S1250	Monarch 18R/F-18R	Sargent 8888
Arrow S3800	Precision 21/FL 21	Von Duprin 22/22F
Corbin Russwin 5200/5200A	Sargent 2828	Von Duprin 98/98F
Detex 10/F10	Sargent 3828	Von Duprin 99/99F
Dorma 9300/9300F	Sargent 8800	Yale 7100

- **Cannot be used with Mortise design or most vertical rod Exit Devices.**

ATTENTION: Compatibility is subject to change if modifications are made by Exit Device manufacturers without Kaba Access Control's knowledge.

Exit Device (not included)***** Interchangeable/Removable core cylinders are not included with the lock**