



- PIN Access
- Electronic Pushbutton Lock
- 100 Access Codes
- Cylindrical

### Features

<b>Access Control:</b>	Electronic pushbutton lock—eliminates problems and costs associated with issuing, controlling and collecting keys and cards. Provides exterior access by combination, while allowing free egress.
<b>No Wires:</b>	Requires no wiring to or through the door—eliminates risk of damage from pinched wires that can result in costly callbacks
<b>Locking Device Options:</b>	Cylindrical latch with 3-hour UL/ULC fire rating on "A" labeled doors
<b>Number of Codes:</b>	Multiple Users—100 Codes
<b>Handing:</b>	Non-handed; pre-assembled for left-hand door installations—easily changed in the field
<b>Programming:</b>	Lock is easily programmed via keypad without removing lock from the door
<b>Key Override (Optional):</b>	<ul style="list-style-type: none"> <li>• Optional Key-in-Lever cylinder in Schlage "C" Keyway with black Kaba cap</li> <li>• Small format—Best and equivalent (6 or 7-pin length)</li> </ul>
<b>Operation Modes:</b>	<ul style="list-style-type: none"> <li>• PIN access</li> <li>• Passage—can be toggled on/off or can be pre-programmed to re-lock after a certain number of hours</li> <li>• Lockout</li> </ul>
<b>Authority Levels:</b>	Four different levels allow you to control who has access to specific lock functions, including: Service Codes—programmed for one-time access or "come-and-go" access for 1-to-24 hours
<b>User Parameters:</b>	Code length—Adjustable to accept 4-to-8 digits Anti-tamper lockout—Adjustable from 3-to-9 invalid attempts with an adjustable period of 0-to-90 seconds Re-lock time—Adjustable from 2-to-20 seconds

### Mechanical Features

<b>Construction:</b>	Light-duty commercial cylindrical lockset, solid cast exterior housing, solid cast levers, cylindrical drive wear tested for extensive use in indoor and outdoor applications
<b>Numeric Keypad:</b>	Vandal resistant, solid metal pushbuttons
<b>Handing:</b>	Non-handed, pre-assembled for left hand door installation—easily changed in the field
<b>Finishes:</b>	Satin Chrome 626 (26D) housings and levers, Satin Brass 606 (04) housings and levers (optional)
<b>Backset:</b>	2 3/4" (70 mm) 2 3/8" (60 mm)
<b>Latch:</b>	1/2" (13 mm) latch, 3/4" (19 mm) latch (Optional)
<b>Minimum Stile Required:</b>	5" (127 mm)
<b>Weight:</b>	8 lbs (3.63 kg)

### Key Override Options

<b>Key-in-Lever Cylinder:</b>	Kaba 1539 6-pin cylinder–Schlage "C" Keyway
<b>Interchangeable Core:</b>	Small format–Best and equivalent (6 or 7-pin length); cylinder not included

### Installation

<b>Ease of Installation:</b>	No wiring to or through the door–no risk of pinched wires
<b>Door Preparation:</b>	Easily installs on wood or metal doors. ASA 161 door preparation with 3 additional through bore holes
<b>Door Thickness:</b>	1 3/8" (35 mm) to 2 1/2" (64 mm); pre-assembled to accommodate doors 1 5/8" (41 mm) to 2" (50 mm)
<b>Items Supplied Include:</b>	Lock assembly, installation manual, template, and required installation hardware
<b>Additional Items Supplied with Key-in-Lever cylinder model only:</b>	Includes Universal Kaba 1539 6-pin cylinders two nickel silver keys, and Schlage "C" Keyway

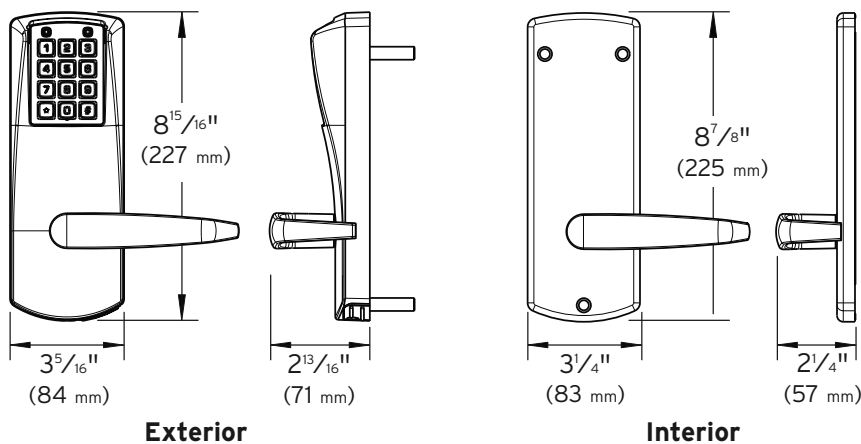
### Certification and Testing

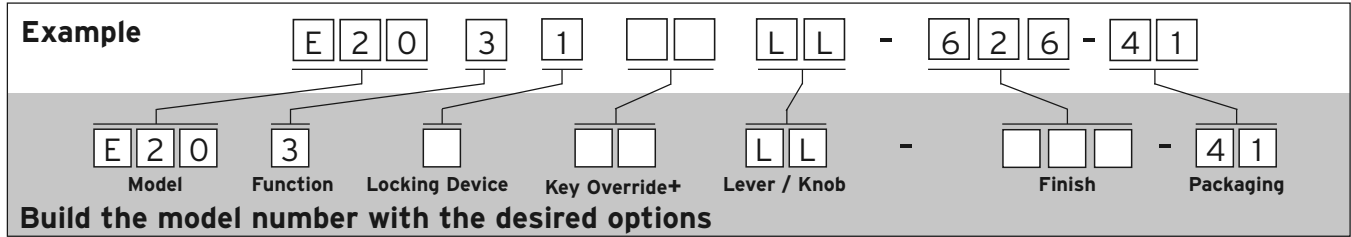
<b>Accessibility Standard:</b>	Americans with Disabilities Act (ADA)
<b>Fire Rating:</b>	UL 10C Fire rated
<b>Environmental:</b>	Indoor/Outdoor Approved; -31° F (-25° C) to +151° F (66° C)

### Warranty

<b>Warranty:</b>	2-year warranty from date of installation; built-in warranty counter in lock memory
------------------	---

### Cylindrical





Base Model	Description
E2031LL62641	E2000, Cylindrical, No Key Override

### Choose one option from each category

Function Options	Description
3	Cylindrical Lock

Locking Device Options	Description
1	Cylindrical ½" (13 mm) throw latch, floating face plate, 2 ¾" (70 mm) backset
2	Cylindrical ½" (13 mm) throw latch, floating face plate, 2 ⅜" (60 mm) backset

Key Override Options+	Description
Blank	Solid Lever without Key Override
XS	Key-in-Lever, Kaba Cylinder (Schlage "C" Keyway) Included
B	Best and Equivalents (6 or 7-pin length); cylinder not included

Lever/Knob Options	Description
LL	Lever-Long

Finish Options	Description
606	Satin Brass (04)
626	Satin Chrome (26D)

### Notes

+ Leave blank for solid lever without Key Override

E-PLEX®