



KABA®

Kaba elologic locker lock

Designed for various wardrobe and locker applications, this electronic locker lock combines convenience with flexibility. Through the CardLink™ function it can be integrated into the Kaba exos online world.

Electronical locker lock – intelligent and practical

The Kaba eolegic family - a solution for every situation

The Kaba eolegic product family is a „stand alone“ access system, which is based on the copyrighted Legic® RFID technology. All components such as lock cylinders, door locks, readers, keys, cards and door furniture have been combined to a well tuned and flexible access system.

Application

The battery operated locker lock has been designed to fit all common cabinet types such as wardrobes or lockers. Many applications in hospitals, universities, schools, nursing homes, offices or civil security and rescue are possible. To operate the lock, the button is pressed down with an authorized Legic medium (keys, cards or tags). If the medium has valid access privileges, the stainless steel bolt is retracted or extracted.

Benefits

- Flexible time programming for permanent and/or temporary access
- Compatible with the Kaba stand alone and online-world through CardLink™
- Choice of different modes for a high security level and flexibility
- Standardized dimensions for a simple and fast installation
- Central administration for convenience and traceability
- Logging of the last 1000 events including recognition of locked or unlocked
- „Free locker“ mode for personalized temporary access
- Easy to maintain

Battery operation

Four commercial AA 1,5 volt batteries ensure an efficient installation and operation.

For protection of the user, the low battery current monitor signals in due time. Below a certain level, it prevents the door from being locked.

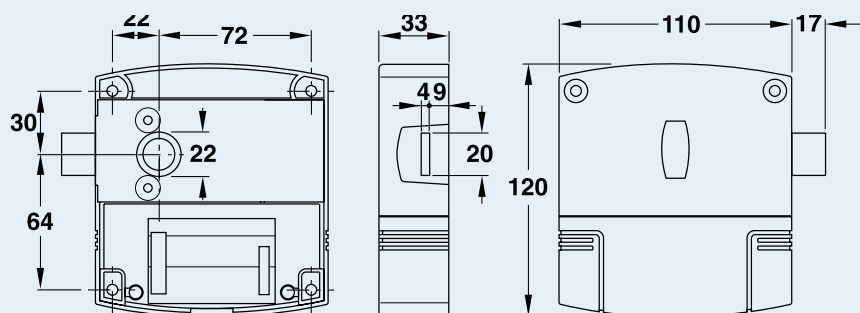
Programming

User-friendly access authorizations can be programmed and managed with:

- the master media,
- the portable programming device or
- the PC software.

Technical data

- For wooden, HPL (high pressure laminate) or steel doors
- Door thickness 13 - 19 mm
- Adaptable on site for left or right hinged doors
- 4 commercial AA 1,5V batteries
- IP44 (splash-proof)
- Temperature range: 0 to 70°C
- Humidity: 0 to 95% rH, condensation not permitted
- Housing: high-grade plastic, anthracite
- Bolt: stainless steel



Kaba Limited

2108 Futura Plaza
111-113 How Ming Street
Kwun Tong, Kowloon, Hong Kong
Tel. : +852 2375 6110
Fax : +852 2406 2602

Macau

Toll Free Number : +0800 348

Email : sales@klh.kaba.com
www.kaba.hk