



KABA[®]

Kaba E-Flash EF660

Electronic Mortice Lock

E-Flash EF660 Electronic Mortice Lock

-  Up to 20 users
-  Proximity card or key fob identification
-  Missing key invalidation
-  Easy re-registration of keys
-  Break-in damage alarm
-  Wrong-try lock out delay
-  Automatic lock mode with manual override
-  Internal manual locking knob
-  Egress automatic unlocking on exit
-  Two colors for choice
-  Aluminium and zinc die-cast components
-  Low battery power and malfunction alert
-  Emergency access power supply
-  Etiquette audio mode
-  Remote control (optional)



Tailored Flexibility

The E-Flash EF660 is the ideal electronic lock for residential access solutions.

No more lost or stolen keys -the EF660 eliminates the need for keys and allows multiple users to be programmed into the lock.

The one-touch operation of the EF660 enables simplicity of lock functions for all users.

Optional wireless door release (remote control) provides added flexibility to the system.

Product characteristics

The EF660 provides the convenience of security code access, proximity card and fob (mobile strap key) access.

Quick one-touch wake-up access control ensures easy use and enhanced battery life for minimal maintenance.

A built-in self-diagnostic function alerts the user of any potential malfunctions or damage.

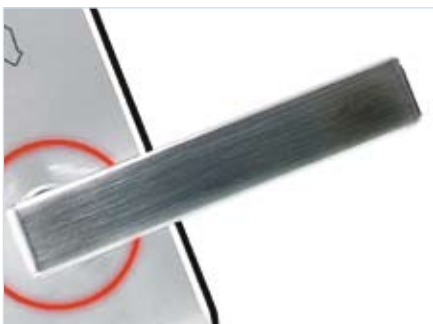
The EF660 has an automatic unlocking on egress which means that the inside handle is always free for immediate exit.

Construction

The durable construction materials including steel mortice lockcase, zinc and aluminium castings and high impact fibre glass resin ensure high strength within the system.

Applications

- Residential Properties



Aesthetic lever handle design



Stylish electronic keypad - illuminated



Internal lock/unlock function

E-Flash EF660 Electronic Mortice Lock

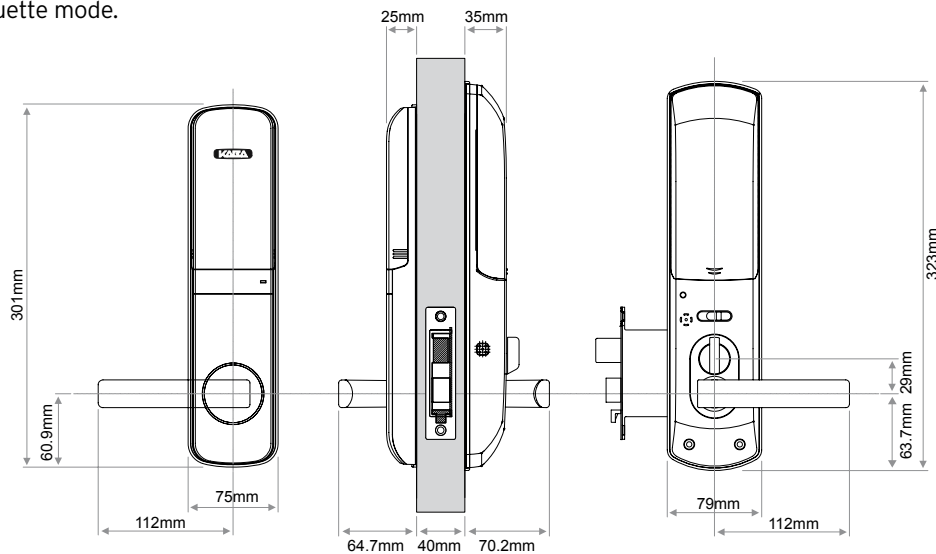
Technical data

- Energy supply: 8 x 1.5V AA size alkaline batteries - emergency power supply via 9V battery.
- Self-checking system: In case of malfunction or low battery power the system will alert the user.
- Break-in/Damage alarm: 80dB alarm will go off if anyone attempts to damage the lock or forces the door open.
- Wrong Try Lock-out: If incorrect code is entered 5 times in a row all functions shut down for 3 minutes.
- Volume Control: 3 volume levels can be chosen - the break-in alarm still operates even in etiquette mode.
- Number of user media: 2 card keys and 2 mobile strap keys are provided up to max. 20 card key/mobile strap keys can be registered.
- Door Thickness: suitable for doors 40mm minimum to 50mm maximum thickness - accessories are required for thicker doors.
- This product is designed to be used only indoor and weather protected outdoor areas.
- Operating Temperature -15°C to 55°C (5°F to 131°F).

Programming

Access privileges can be programmed and managed with:

- Card Key registration: press the **ⓘ** button and contact all of the keys you wish to use one by one, then press the **ⓘ** button.
- Security Code registration: Press the **ⓘ** button and enter your security code (4-12 digit number) then press the **ⓘ** button.



E-Flash Accessories



Wireless Door Release (remote control)



Card Keys



Fob (mobile strap key)



Kaba Limited
2108 Futura Plaza
111-113 How Ming Street
Kwun Tong, Kowloon, Hong Kong
Tel. : +852 2375 6110
Fax : +852 2406 2602

Macau
Toll Free Number : +0800 348

Email : sales@klh.kaba.com
www.kaba.hk